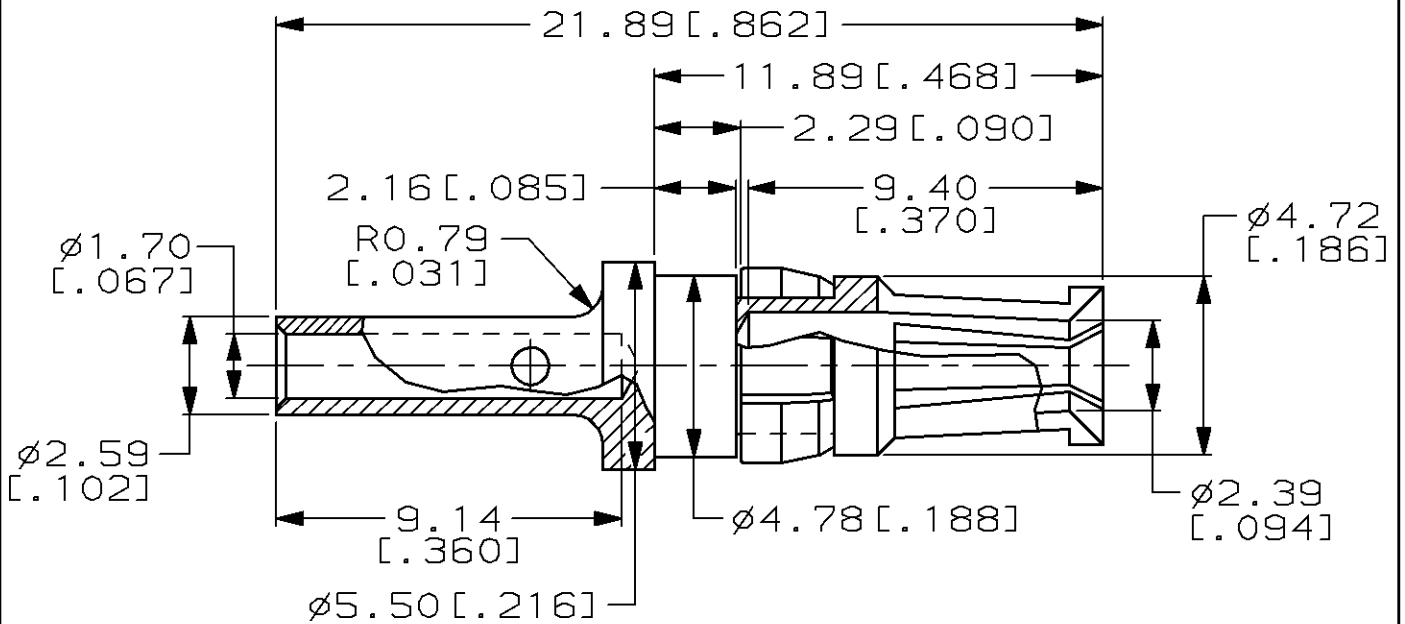


LOC AD	DIST 25	REVISIONS				
P	LTR	DESCRIPTION	DATE	DWN	APVD	
	0	DRAWN	-	-	-	

1. WIRE BARREL WILL ACCEPT 16-18 AWG WIRE.
2. MATES WITH PART NUMBER 148410-1.
3. RECOMMENDED CRIMPING TOOL: DANIELS TOOL #FT8, POSITIONER P/N TP731, SETTING #7 (16 AWG), #6 (18 AWG), STRIP LG 8.13[.320].



RELEASED FOR PUBLICATION

THIS DRAWING IS UNPUBLISHED.

ALL RIGHTS RESERVED. BY AMP INCORPORATED. COPYRIGHT 19

0.00076 [0.00030] GOLD	CONTACT; BERYLLIUM COPPER RETAINING RING; BERYLLIUM COPPER	148416-1
CONT AREA FINISH	MATERIAL	PART NUMBER

DIMENSIONS: mm	DWN L. BRINER	10/14/97	MATERIAL	-	FINISH	-
	CHK R. PATTERSON	10/14/97	AMP Incorporated Harrisburg, PA 17105-3608			
TOLERANCES UNLESS OTHERWISE SPECIFIED:	APVD R. PATTERSON	10/14/97				
0 PLC ±-	PRODUCT SPEC	-	NAME CONTACT, EUROCARD, SOCKET, CRIMP, TYPE M, 10 AMP			
1 PLC ±-	APPLICATION SPEC	-	SIZE	CAGE CODE	DRAWING NO	RESTRICTED TO
2 PLC ±0.13 [0.005]	-	-	A4	00779	C-148416	-
3 PLC ±-	WEIGHT	-	CUSTOMER DRAWING			
4 PLC ±-	-	-	SCALE	SHEET	OF	REV
ANGLES ±-	-	-	5:1	1	1	0